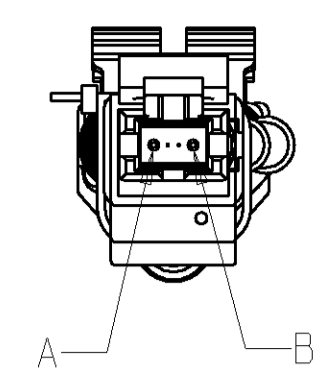


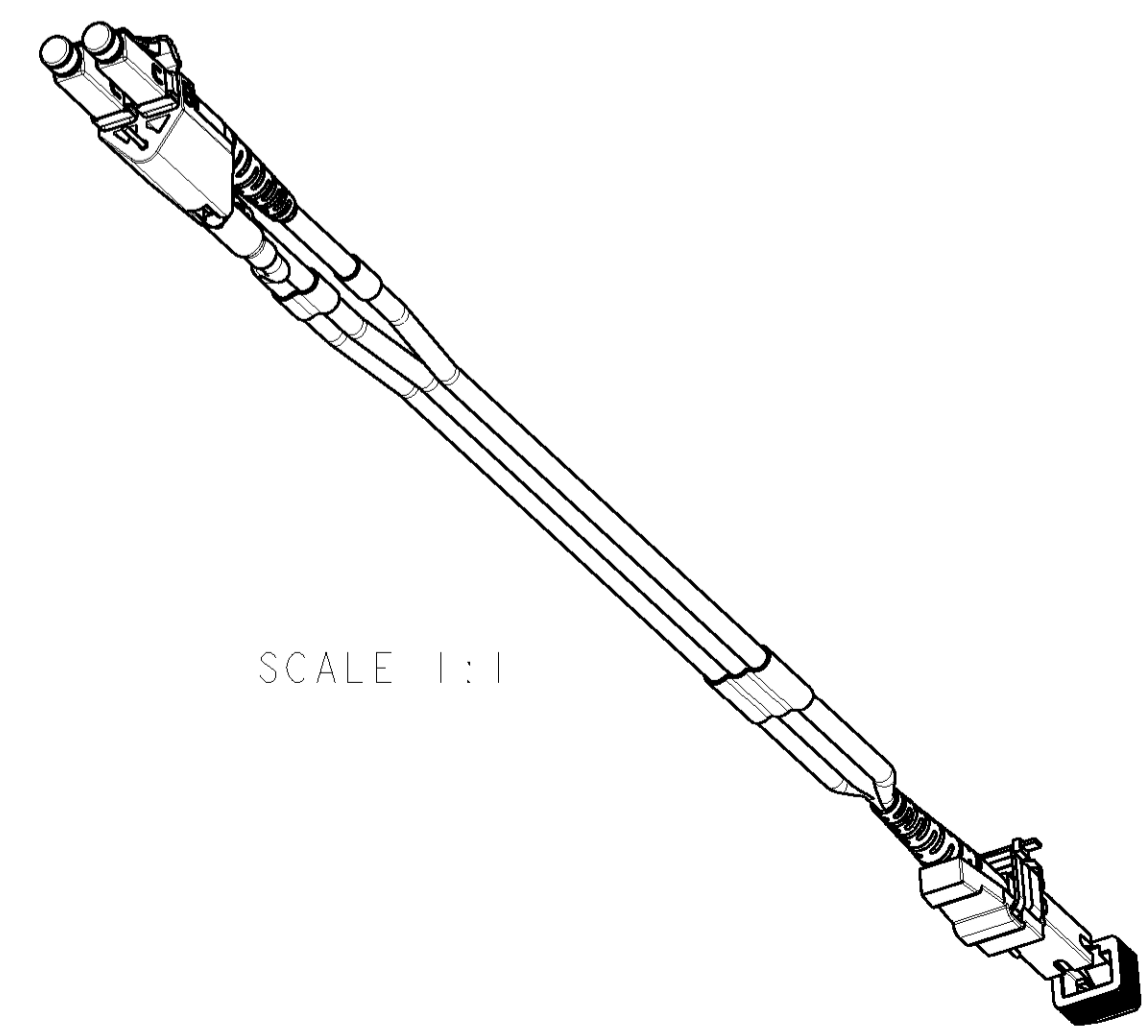
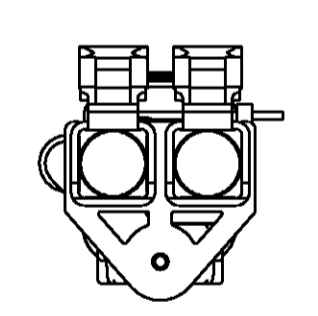
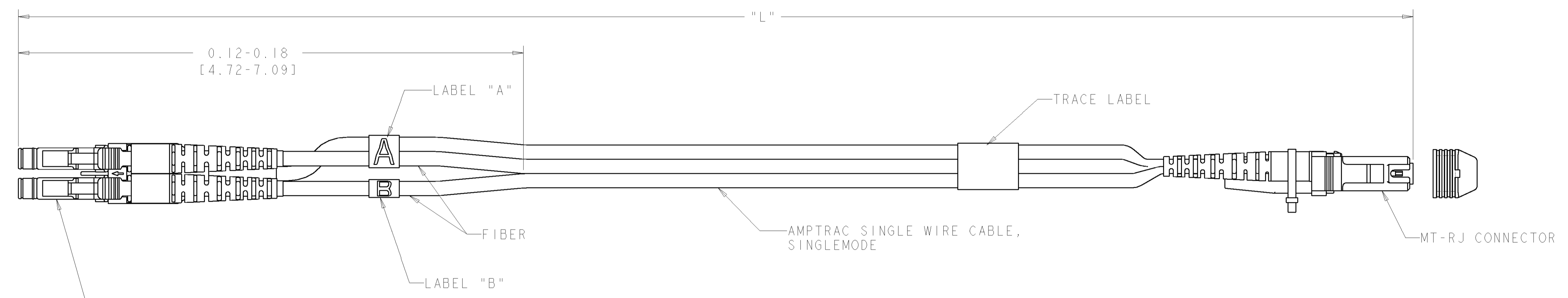
| | | | |
|------------------------------|---------------------|-------------------------------------------------------|--|
| THIS DRAWING IS UNPUBLISHED. | | RELEASED FOR PUBLICATION | |
| COPYRIGHT 20 | | BY TYCO ELECTRONICS CORPORATION. ALL RIGHTS RESERVED. | |
| .52 | 10.0±.15 [393.7±6] | 1-1435794-0 | |
| .52 | 7.0±0.08 [275.6±3] | 1435794-7 | |
| .51 | 5.0±.08 [196.9±3] | 1435794-5 | |
| .50 | 3.0±.05 [118.1±2.0] | 1435794-3 | |
| .50 | 2.0±.05 [78.7±2.0] | 1435794-2 | |
| .50 | 1.0±.05 [39.4±2.0] | 1435794-1 | |
| CONNECTOR LOSS (dB) | "L" METERS [INCHES] | PART NUMBER | |



| FIBER COLOR | LC POSITION | MT-RJ POSITION |
|-------------|-------------|----------------|
| WHITE | A | B |
| BLUE | B | A |

VIEW A-A

| LOC | DIST | REVISIONS | | | |
|-----|------|---------------|-----------|-----|------|
| P | LTR | DESCRIPTION | DATE | DRN | APVD |
| A | | ECR-05-002641 | 31MAY2005 | JM | MD |



SCALE 1:1

△ DIMENSIONS IN [] ARE IN INCHES.
 △ MAXIMUM CONNECTOR LOSS IS EQUAL TO .50 dB PLUS CABLE ATTENUATION.

| | | | | | |
|---------------------------------------------------------------------------------------------------|--|-----------------------------------------------------------------------------------------------------------------------|--|------------------------------------------------------------------------------|------------------------------------------------------------------------------------|
| DIMENSIONS: METERS 0 PLC ± 1 PLC ± 2 PLC ± 3 PLC ± 4 PLC ± ANGLES ± FINISH ± | | TOLERANCES UNLESS OTHERWISE SPECIFIED: 0 PLC ± 1 PLC ± 2 PLC ± 3 PLC ± 4 PLC ± ANGLES ± FINISH ± | | DRN J MCNEAL 31MAY2005 CRK L SMITH 31MAY2005 APVD M DELPHIAS 31MAY2005 | tyco Electronics Tyco Electronics Harrisburg, PA 17105-3608 |
| NAME CABLE ASSY FIBER OPTIC AMPTRAC MT-RJ TO LC DUPLEX, SINGLEMODE | | | | SIZE CAGE CODE DRAWING NO RESTRICTED TO A 100779 C-1435794 - | |
| MATERIAL - FINISH - WEIGHT - CUSTOMER DRAWING | | | | SCALE 2:1 SHEET 1 OF 1 REV A | |